



1000W

DE FIXTURE

MH / HPS

VOLTAGE:

120V/240V

277V

347V

SKU WITH LAMP:

ILUM-DE-N1K

ILUM-DE-1K277

ILUM-DE-N1K34

SKU NO LAMP INCLUDED:

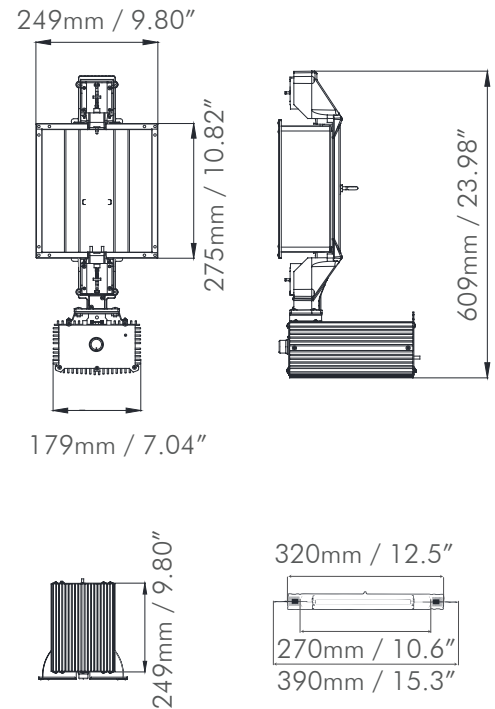
ILUM-DE-N1K-NL

ILUM-DE-1K277-NL

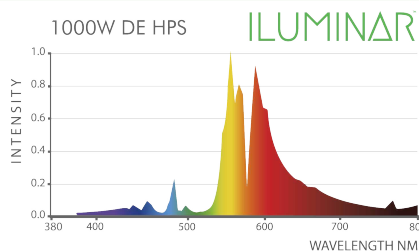
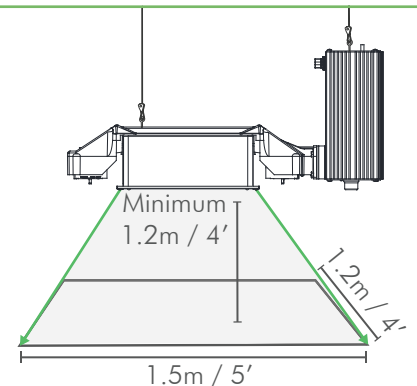
ILUM-DE-N1K34-NL

TECHNICAL SPECS

	120V	240V	277V	347V
Input Current	9.30A	4.60A	3.85A	3.07A
Input Power	1085W	1055W	1045W	1040W
Rated Voltage	120V	240V	277V	347V
Voltage Range	108-264V		249-305V	312-382V
THD	<10%			
Dimmable	0 -10V Controllable			
Min. Power Factor	>.99			
Crest Factor	<1.7			
Connection	IP67 Wieland Plug			
Frequency	48 - 63Hz			
BTU Output	4,400 btu			
Relative Humidity	25-70% (Non-condensing)			
Operation Temp.	0 - 35°C / 32-95°F			
Recommended Lamp	1000W DE 400V			
Lamp Included	ILUMINAR			
Lamp Base	K12 x 30s			
PPF	2100 μmol/s			
Weight	6.2kg / 13.66lbs			
Standalone Coverage	5'x4'			
Minimum Mounting Height	1.2m / 4'			
Fixture Width	9.80" / 249mm			
Fixture Height	23.98" / 609mm			
Ballast Width	7.04" / 179mm			
Ballast Height	5.1" / 130.5mm			


DIMENSIONS

PROTECTIONS

- Microprocessor Driven
- End of Lamp Life (EOL)
- Open Circuit Protection
- Ignition Failure Protection
- Thermal Sensing Protection

DE HPS SPECTRUM

 View MH Compatible Lamp Spectra at iluminarlighting.com
MOUNTING & COVERAGE

 iluminarlighting.com
 Toll Free: 1-877-540-5588

3 YEAR WARRANTY

 © Copyright 2022 ILUMINAR Lighting
 Subject to change without notice.